



- Precision 2-Step Reactive Power Overload Protection, not affected by heavily distorted waveforms
- Total processing time less than 50mS
- 3 or 4-wire systems. Definite time trip delays
- Triple relay operation gives more flexibility
- Optional fast analogue kVAr-signal output, <50mS
- Wide range setting of high overload contact hysteresis

Specifications

Monitored Voltage:	100-120V, 200-240V, 380-415V, 440-460 or 480VAC 40-70Hz (Fuse 0,5A)
Optional Separate Auxiliary Voltage AC:	100-120V, 200-240V, 380-415V, 440-460 or 480VAC 40-70Hz (Fuse 0,5A)
Optional Separate Auxiliary Voltage DC:	24, 48 or 110VDC (Fuse 2A) <small>(Add nr 2 for models with separate aux. supply. ex: KPVA191E2)</small>
Supply tolerance:	± 10%
Power rating:	1,5VA
Current Input:	1 or 5A C.T. <0,1VA
Contact rating:	AC: 100VA - 250V/2A max. DC: 50W - 100V/1A max.
Adjustments available:	See under Relay Operation (page 2)
Analogue outputs:	Up to 20mA, max 500ohm Up to 10VDC, min 100kohm (other outputs available on request)
Temperature:	-20 to +70°C
Weight:	0.64kgs
Front protection:	IP52 (IP65 optional)

The unit meets EN 61010-1 Cat. III, Pollution degree 2 and the relevant environmental and EMC tests specified in EN 61326-2-4 to comply with the requirements of the major Classification Societies.

Application

The digitally controlled KPVA19x range provides precision (1.0%) 2-step overload protection and monitoring of three phase generators or motors.

Available for 3-phase 3-wire (2R3) and 4-wire (3R4) systems.

The unit measures the voltage and current true r.m.s. value, and accuracy is independent of any wave form distortion.

As standard the auxiliary voltage is taken from the unit monitored voltage input. A separate AC or DC auxiliary voltage is optionally available.

A green LED indicates POWER on. Start of monitoring function is delayed when power is switched on (default 2 secs delay). In this way false tripping during power up is avoided.

The DIN96 instrument reads the power level directly in kVAr. The kVAr-meter and the triple-zone status LEDs at a glance gives the clear safety message:

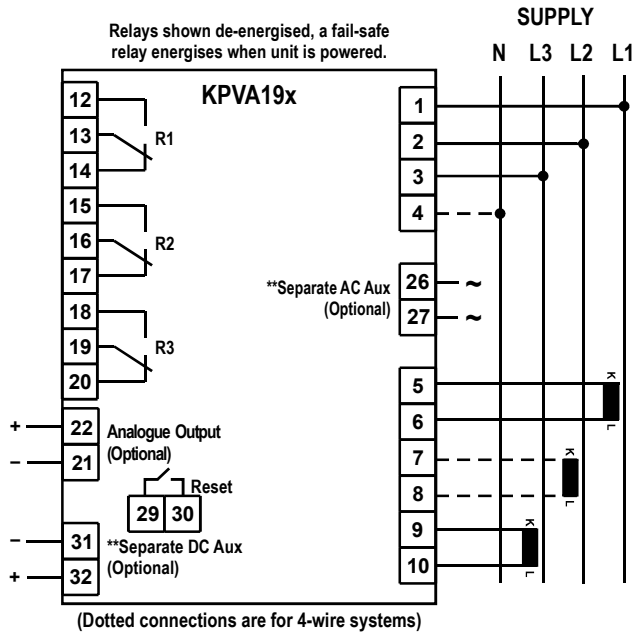
- LEVEL 2
- LEVEL 1
- NORMAL

OUTPUTS

If output is used for remote meter reading, we recommend 0-1mA for the slave indicator.

Related information:

The KPVA19x-range is also available for rail mounting as KCVA19x.



Analogue Output

KPVA191F and KPVA194F have an analogue output proportional to kW-meter reading. The signal is specifically intended as input to a control system for kW monitoring, load sharing, load shedding etc.

Add to type designation suffix from table below to designate output required:

O/P1	0 - 10mA	O/P6	N/A
O/P2	0 - 20mA	O/P7	N/A
O/P3	4 - 20mA	O/P8	0 - 10V
O/P4	N/A	O/P9	0,2 - 10V
O/P5	N/A	O/P10	4,3 - 20mA

To ensure correct kVAr measurement voltage phase sequence and CT, connections MUST be as shown on connection diagram.

****Optional separate aux. supply:**

Add nr 2 for models with separate aux. supply. (Example: KPVA191E2)

Description

KPVA191E - KPVA191F

Both overload relays can be used for non-essential load release or as an alarm indication. A wide range overload contact hysteresis can be set to enable R2 to be used for a non-essential load to be reconnected or as a standby generator stop signal. Relay R3 is an additional relay that can be used for local indication, as an input to an alarm system etc.

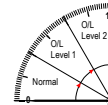
A trip LED flashes when the trip level is passed, the relay trips when the delay has elapsed. The timer resets if the fault is removed during countdown.

Relay Operation

Configuration: 3-Phase, 3-Wire (2R3)

	OVERLOAD LEVEL 1	OVERLOAD LEVEL 2	N/A	Fail Safe	Latch	Fixed Hysteresis	Adjustable Hysteresis
R1	✓					✓	
R2		✓		✓			✓
R3	✓						

Model	Latch	Output
KPVA191E	-	-
KPVA191F	-	X



Adjustments	Trip level	Delay
Overload level 2:	0-100% of FSD	0-30secs
Overload level 1:	0-100% of O/L 2	0-30secs
Hysteresis O/L 2:	2-50% of FSD	
Hysteresis O/L 1:	Fixed 2% of FSD	

KPVA194E - KPVA194F

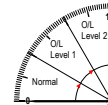
Both overload relays can be used for non-essential load release or as an alarm indication. A wide range overload contact hysteresis can be set to enable R2 to be used for a non-essential load to be reconnected or as a standby generator stop signal. Relay R3 is an additional relay that can be used for local indication, as an input to an alarm system etc.

A trip LED flashes when the trip level is passed, the relay trips when the delay has elapsed. The timer resets if the fault is removed during countdown.

Configuration: 3-Phase, 4-Wire (3R4)

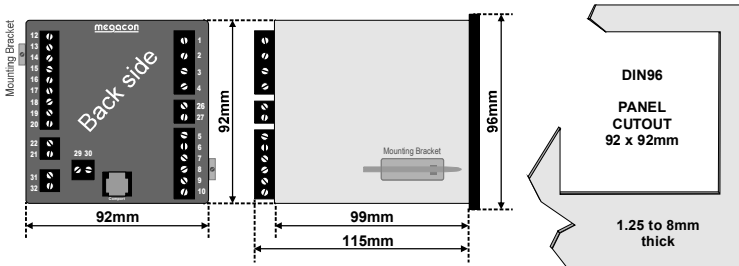
	OVERLOAD LEVEL 1	OVERLOAD LEVEL 2	N/A	Fail Safe	Latch	Fixed Hysteresis	Adjustable Hysteresis
R1	✓					✓	
R2		✓		✓			✓
R3	✓						

Model	Latch	Output
KPVA194E	-	-
KPVA194F	-	X



Adjustments	Trip level	Delay
Overload level 2:	0-100% of FSD	0-30secs
Overload level 1:	0-100% of O/L 2	0-30secs
Hysteresis O/L 2:	2-50% of FSD	
Hysteresis O/L 1:	Fixed 2% of FSD	

Dimensions

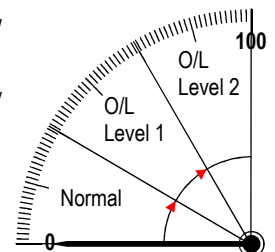


The MEGAICON policy is one of continuous improvement, consequently equipment supplied may vary in detail from this publication.

Relay Configurations

The relay operation is delayed in the arrow direction, the reset is instantaneous.

Both trip levels can, independently, individually set over the scale range (0-100% FSD).



ORDERING EXAMPLE:

Type:	KPVA191F
Aux. Supply:	200-240VAC
Monitored Voltage:	440VAC
Input Current:	1500/5A
Range:	0-1500kVAR
Analogue O/P:	4,3-20mA

