



- Single Phase Undercurrent Protection with Definite Time Trip Delay
- Two individually settable undercurrent relays
- For use with 1A or 5A current transformers
- Very fast analogue output (<50mS), (F-version)
- Independent ammeter with full current scale

**Specifications**

Auxiliary Voltage:	100-120V, 200-240V, 380-415V, 440-460 or 480VAC 40-70Hz (Fuse 0,5A)
Optional Auxiliary Voltage:	24, 48 or 110VDC (Fuse 2A)
Supply tolerance:	± 10%
Power rating:	1,5VA
Current Input:	1A CT or 5A CT, <0,1VA
Contact rating:	AC: 100VA -250V/2A max. DC: 50W -100V/1A max.
Adjustments:	
Trip level U/C1:	0-150% of FSD (FSD = Full Scale Deflection)
Trip delay U/C1:	0-30 Sec
Trip level U/C2:	0-150% of FSD
Trip delay U/C2:	0-30 Sec
Hysteresis:	2-50%
Analogue outputs:	Up to 20mA, max 500ohm (other on request) Up to 10V, min 100kohm
Temperature:	-20 to +70°C
Weight:	0.64kgs
Front protection:	IP52 (IP65 optional)

**Description**

**KEC103x series provides current underload protection of single phase generators or motors.**

True RMS measurement not affected by heavily distorted waveforms provides highest up precision (1.0%) protection. Less than 50mS undercurrent detection.

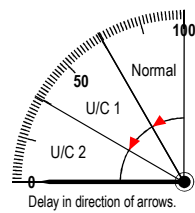
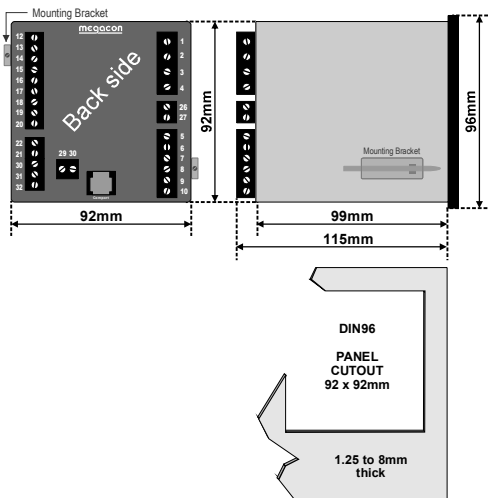
The independent class 1,5 moving iron ammeter input (term. 26 & 27) MUST be externally connected to read phase current.

R1 energises when trip level one (Undercurrent 1) is exceeded and R2 trips when trip level two (Undercurrent 2) is exceeded. R3 is an extra status relay that energises if either alarm relay 1 or 2 is active and can be used for local indication, PMS input, alarm system input etc.

Fast response analogue output signal proportional to a range (KEC103F & KEC103GF).

User settable trip levels and delays. Colour of LEDs indicates alarm status. LEDs flash during count-down.

**Dimensions**

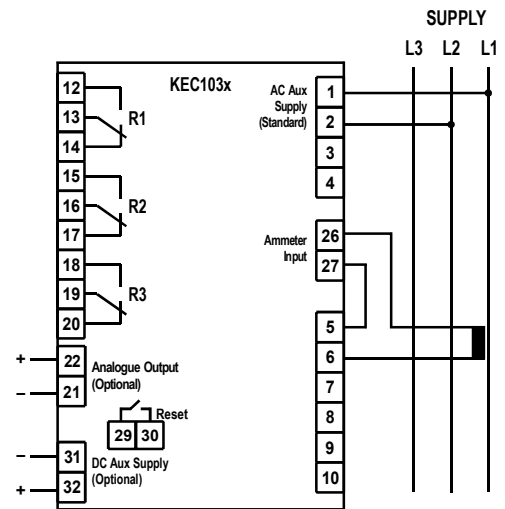


	U/C 1	U/C 2	Fail safe	Latch
R1	✓	-	✓	*✓
R2	✓	✓	✓	*✓
R3	✓	✓	✓	*✓

Relays shown de-energised. R2 is fail-safe and energises when unit is powered.

Models	Latch	Output
KEC103E	-	-
KEC103F	-	X
KEC103G*	X	-
KEC103GF*	X	X

**Relay Reset**  
Any latched relay is reset by linking terminals 29 and 30 or by interrupting the voltage input to terminal 1.



The unit meets EN 61010-1 Cat. III, Pollution degree 2 and the relevant environmental and EMC tests specified in EN 61326-2-4 to comply with the requirements of the major Classification Societies.

The MEGACON policy is one of continuous improvement, consequently equipment supplied may vary in detail from this publication.

**ORDERING EXAMPLE:**  
 Type: KEC103F  
 Aux. Supply: 200-240V  
 Input Current: 500/5A  
 Range: 0-500/1000A  
 Analogue O/P: 4-20mA

